



Trailing Cable Reels

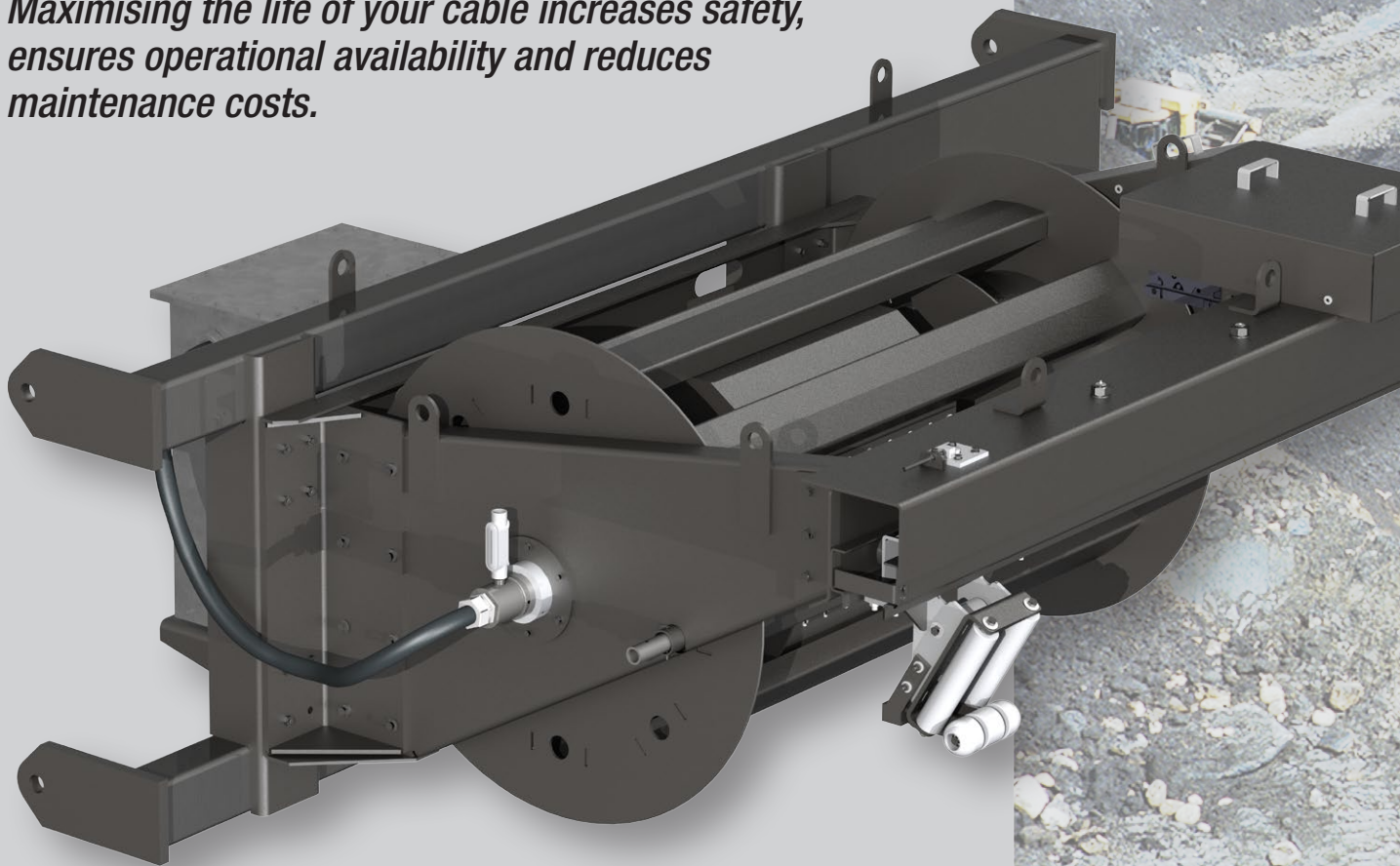
The Retrofit solution for fully electrified
Mining & Bulk Handling equipment



We move your business!

Trailing cables operate in a highly vulnerable area. Susceptible to track damage and subject to severe abrasion during dragging, damage means expensive downtime, costly replacement and risk to personnel. A retrofit trailing cable reel from Conductix-Wampfler eliminates the risk of reversing onto the cable and wear due to dragging.

Maximising the life of your cable increases safety, ensures operational availability and reduces maintenance costs.





Characteristics

- Max slip ring voltage: 13 KV (60 kV BIL)
- Max slip ring amperage: 250 A
- Max cable size: 90 mm
- Max reeling length: 500 m
- Max reeling speed: 50 m/min
- Shock/Vibration load: 3 g max
- Drive power: Electric or Hydraulic
Self contained power source – Plug and play

www.conductix.com

Conductix-Wampfler has just one critical mission:

To provide you with energy and data transmission systems
that will keep your operations up and running 24/7/365.

To contact your nearest sales office, please refer to:

www.conductix.com/contact-search

